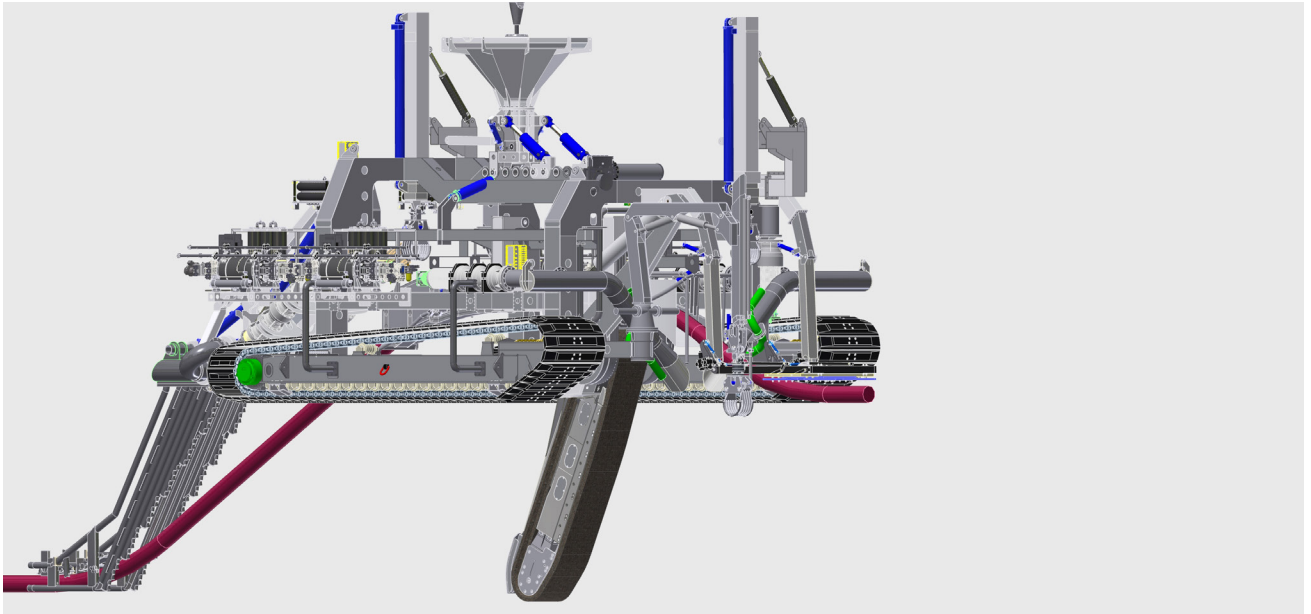


EQUIPMENT SHEET

SMD CBT2400

SUBSEA CABLE TRENCHER (UNDER CONSTRUCTION)



FEATURES

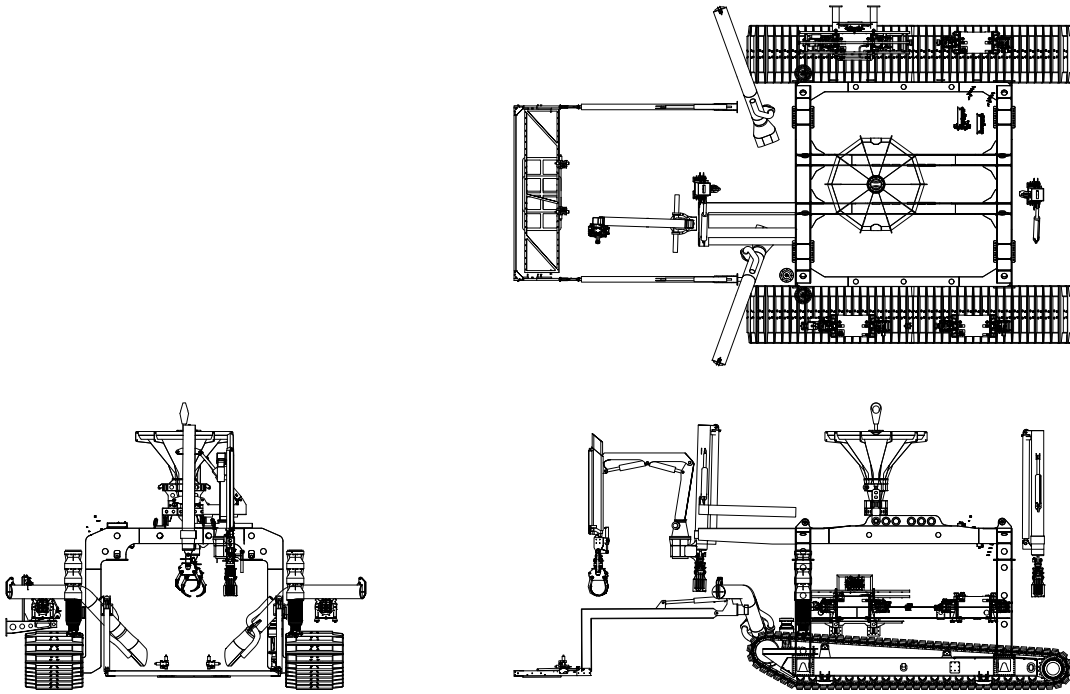
- Interchangeable tools: jet sword, chain cutter for trenching through a wide range of soils
- Simultaneous lay and trenching
- Post-lay and remedial trenching
- Capability to operate on beach and through surf zone
- Self-supporting spread; can be installed on various vessels or pontoons
- Built-in stinger to ensure product is buried at required depth
- Heading control for accurate steering and alignment
- Low ground pressure due to optimized track surface
- Combined power and fibre optics via single umbilical
- Operation from one central control room
- Extensive real-time monitoring and control system, including route, speed performance and burial depth
- Profiling sonars, obstacle avoidance sonars, pan & tilt colour cameras. USBL transponders, Rovins ENS, bathy/ alti/ conductivity & temperature sensor
- Manipulator, 7 m reach, 3 t x meter capacity

MAIN DATA

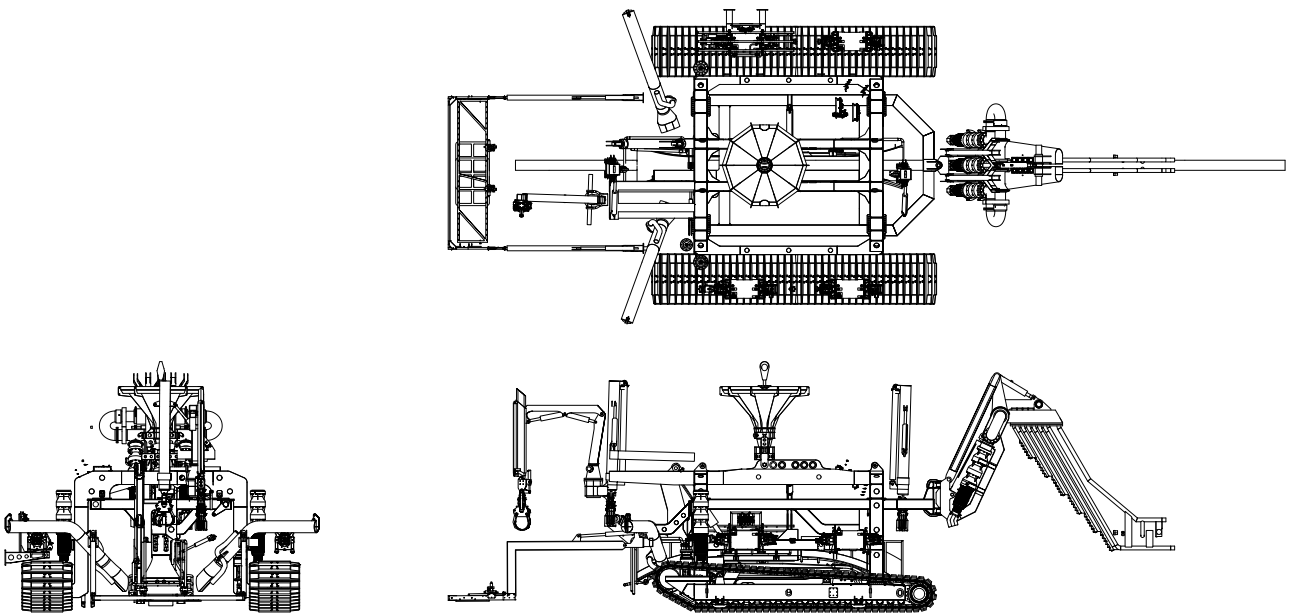
Supported products	Umbilicals, infield cables, export cables, interconnectors and flexibles up to dia 500 mm, MBR up to 5 m
Trench depths	Up to 3.3 m
Cable grab	2 pcs., 3.5 tonnes capacity each
Soils	Silts, sands, clays and hard rock
Dimensions core vehicle	8.5 m x 8.3 m x 6.4 m (l x w x h)
Weights	Depending on configuration: 65 - 85 t (air), 55 - 70 t (submerged)
Ground pressure	Depending on configuration: up to 30 kPa
Total installed power	1,800 kW
Jet performance	2,100 m ³ /hr at 15 bar
Trenching speed	Depending on soil conditions and configuration: up to 200 m/hr
Traction	Depending on soil conditions: up to 500 kN traction force
Water depth	Up to 1,000 m

SMD CBT2400

SUBSEA CABLE TRENCHER (UNDER CONSTRUCTION)



SMD CBT2400 CORE VEHICLE



SMD CBT2400 CORE VEHICLE INCLUDING CASSETTE 1

Alternative configurations available on request