



## CONSTRUCTION/CLASSIFICATION

Year of construction	2012
Classification	Bureau Veritas   ✘ Hull 1 • Mach Tug Unrestricted Navigation AUT-UMS
IMO number	9658276

## FEATURES

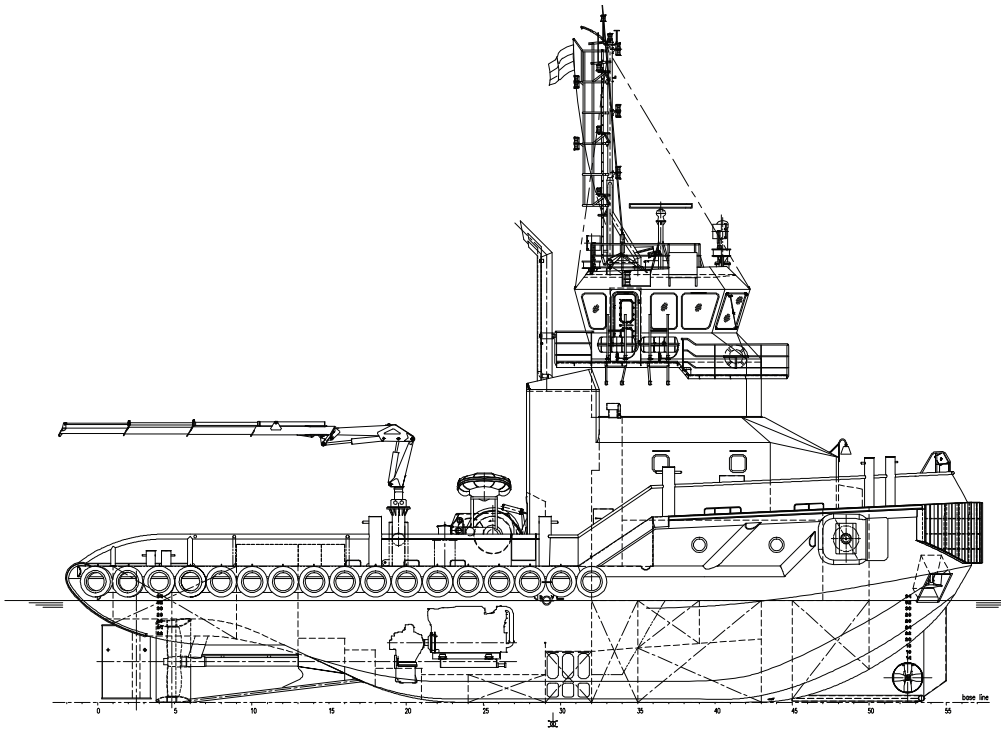
Towing, mooring, pushing, anchor handling
Dredging support
Barge mooring arrangement with Articouple system

## DECK EQUIPMENT

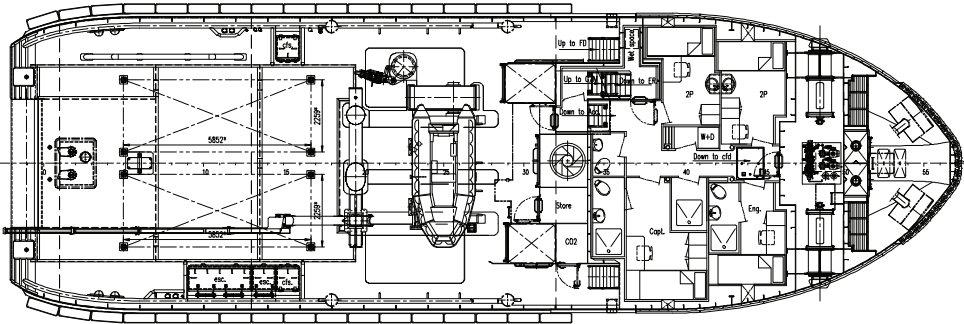
Deck area (aft)	40 m <sup>2</sup>
Anchor winch	Ridderinkhof hydraulically driven
Deck crane	Heila HLRM 13-3SL, 1.0 t (m) @ 10.95 m
Towing winch	Ridderinkhof 50 t (m) @ 5 m/min (pull), brake holding 75 t 600 m cable • 40 mm
Towing pins	Triple pin type

## MAIN DATA

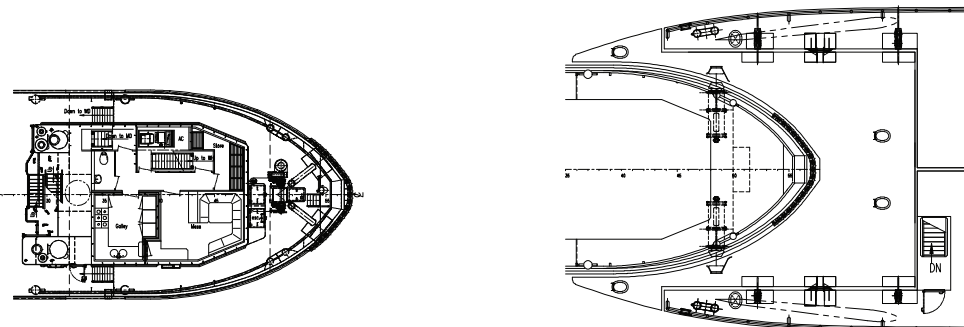
Gross tonnage	330
Length overall	30.08 m
Beam overall	9.10 m
Draught aft approx.	3.20 m
Main engines	2 x 1260 bkW, driving two fixed pitch propellers
Total power	3080 bkW
Bow thruster	257 kW
Bollard pull (ahead)	44 t
Speed ahead (Max.)	11 kn



**SIDE VIEW**



**TOP VIEW DECK LEVEL**



**FORECAST DECK FITTED IN 1,800 M<sup>3</sup>  
SPLIT HOPPER BARGE**