



CONSTRUCTION / CLASSIFICATION

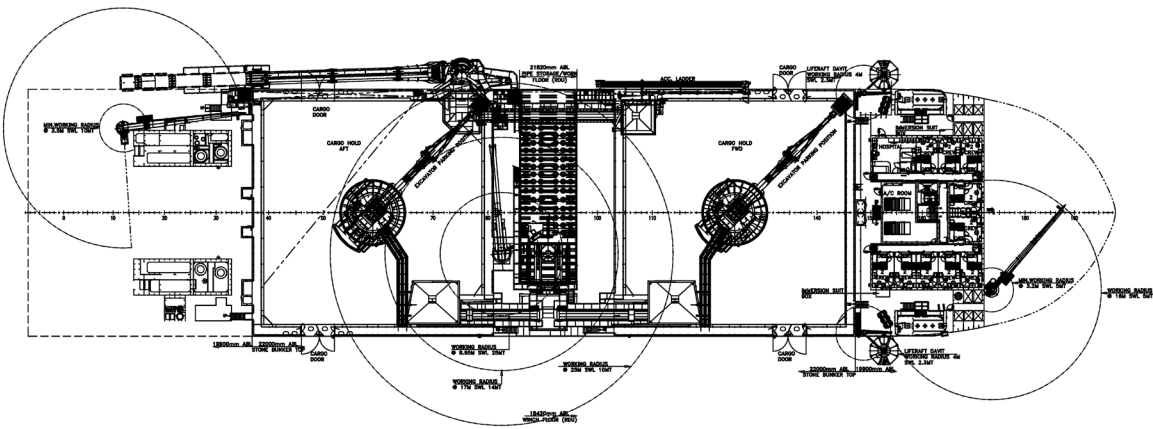
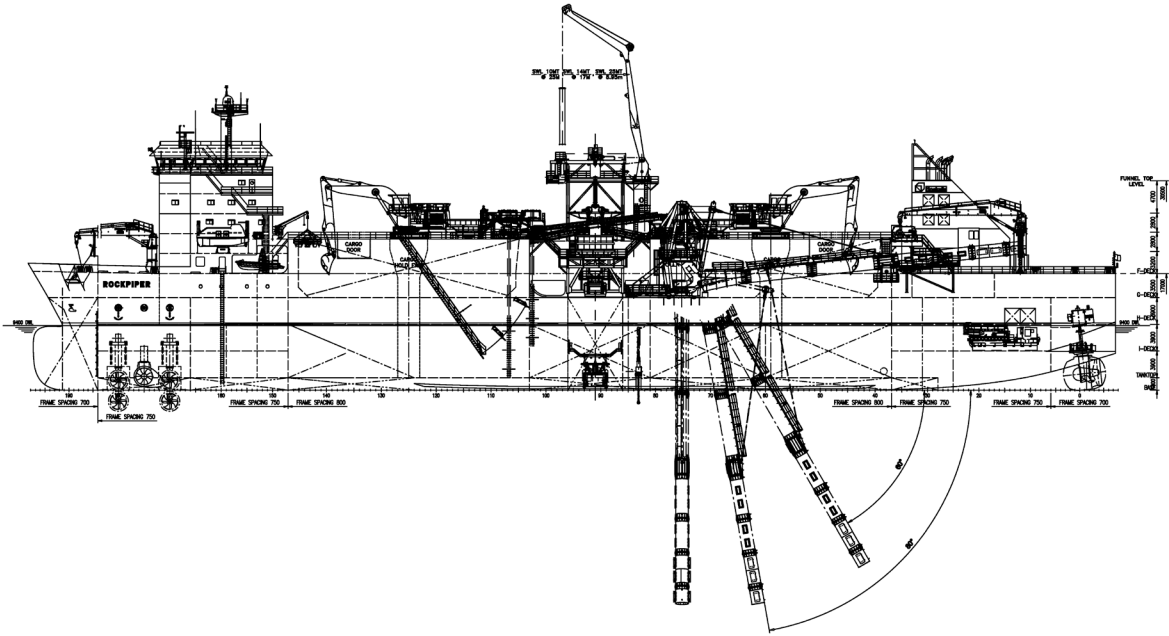
Vessel built by	Keppel Singmarine Pte Ltd
Year of construction	2011
Classification	Bureau Veritas
Port of registry	Limassol, Cyprus

FEATURES

- Rock installation capacity abt. 2,000 t/h.
- Installation depth of 700 m through fallpipe with inner diameter of abt. 700 mm. Optional: Depth range can be extended to 1,500 m.
- Diesel electric propulsion system comprising three main diesel generator sets and one auxiliary diesel generator set.
- Accommodation on fore ship, complement 60 persons.
- Rock installation system and moonpool in mid ship.
- Innovative fall pipe ROV with integrated various survey systems.
- Optional:
 - Deflector, mountable on fallpipe ROV
 - Jet Flow Tool, mountable on fallpipe ROV
 - Solid Ballast Unit, mountable on aft deck
 - FPROV leveling tool, mountable on the fallpipe ROV
 - Inclined fallpipe (IFP), mountable on the port side of the vessel (outside of the hull)
 - Fallpipe with inner diameter 1,000 mm
 - Aft belt / side chute

MAIN DATA

Dynamic Positioning system	DP-2
Positioning system	DGPS, HIPAP, Fanbeam
Length overall	158.60 m
Breadth	36.00 m
Moulded depth	13.50 m
Design draught	9.40 m
Cargo carrying capacity	23,500 t
Cargo hold capacity	15,500 m ³
Sailing speed loaded	12.0 kn
Total installed power	15,192 kW (3 x 4,500 kW + 1 x 1,200 kW + 1 x 492 kW)
Main engines	3 x 4,500 kW (3 x main generator sets)
Main propellers	2 x 4,500 kW (2 x azimuth thrusters)
Azimuth thrusters	2 x 1,500 kW (2 x retractable thrusters)
Bow thruster	1 x 1,000 kW



TOP VIEW - DECK LEVEL