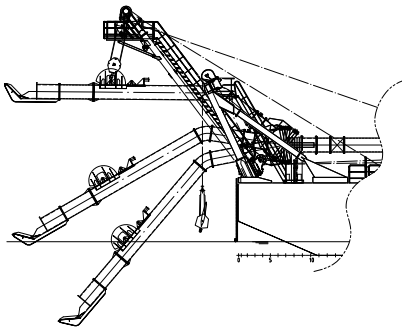
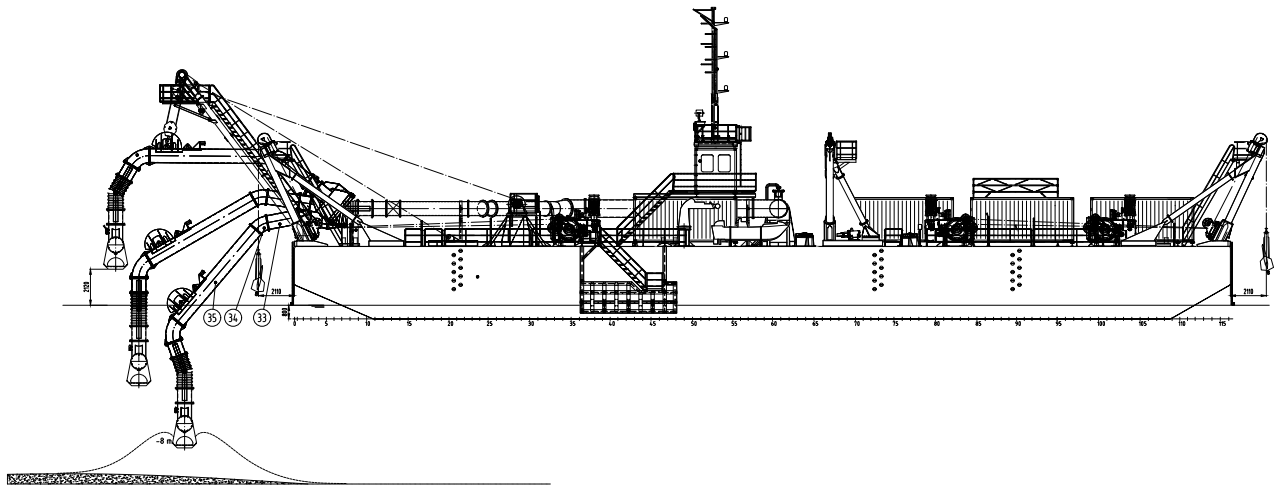



**CONSTRUCTION / CLASSIFICATION**

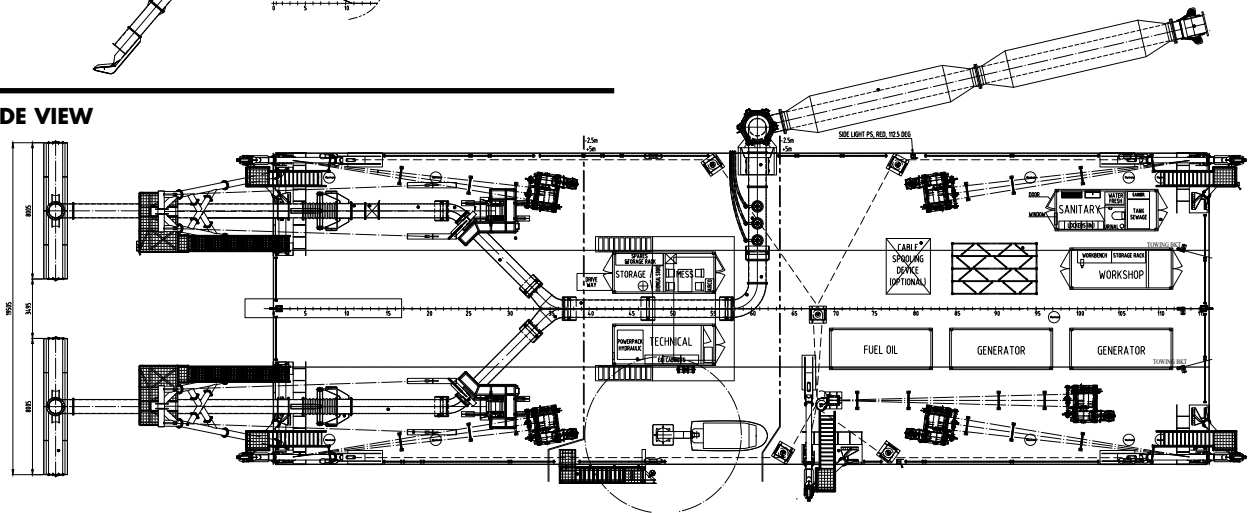
Year of construction	2014
Classification	Unrestricted navigation
Plant nr.	23077
Flag	NIU
Flag nr.	N-1924
Class	RINA
Class nr.	102140

**MAIN DATA**

Gross tonnage	924 GT
Length overall	54.86 m
Beam	18.29 m
Main generators	2 x 600 KVA
Harbour set	1 x 125 kVA
Fuel capacity	20 m <sup>3</sup>
Main dredgeline	1,000 mm
Spraypipes	2 x 800 mm
Winches	4 x 25 t
Winch speed max	20 m/minute
Wire length	800 m



**SIDE VIEW**



**TOP VIEW DECK LEVEL**